

Sensigas[®]

Oxygen detectors

IP55 protection rating

URS40SL



11...14Vdc power supply.

Electrochemical cell sensor designed for the detection of oxygen (O₂).

Up to three alarm thresholds plus sensing element fail.

LED on housing body to indicate operating status.

Automatic countdown of sensor life.

Use

The URS20SL detectors are used to detect oxygen excess or deficiency in non-classified areas.

An **oxygen excess** forms if it leaks in hospitals, laboratories, welding centres and, more in general, where oxygen is stored.

Oxygen deficiency is an indirect measurement of the presence of other explosive or asphyxiant gases that deplete the oxygen in the air.

URS20SL detectors transmit data from a local bus connected with their Control Unit, which acts as the master unit of the gas detection system.

Operation

If there is an oxygen leak or an absence of oxygen, the detector compares the measured concentration value with the threshold limit setpoints and energises the system relays if associate.

Alarm information is transmitted to the Control Unit, which energises its own internal relay module (MR0) and the remote Relay and Display modules depending on the associations.

Ordering

To order, simply state the part number: **URS40SL**.

For special versions, on request, please contact Customer Service.

Technical characteristics

Type of sensor	Electrochemical cell		
Detectable Gas	O ₂ excess	O ₂ deficiency	
Power supply	11 ÷ 14Vdc		
Max power consumption	0,7W		
Measuring range	0...30% O ₂		
Precision	± 2,5% of full scale range (in air)		
Repeatability	± 2,5% of full scale range		
Measurement resolution	0.1% O ₂		
Microprocessor resolution	1024 points (10 bit)		
Digital filter system	Kalman Filter		
Watchdog	Internal		
Warm-up time	< 2m		
Stabilization time	< 2m		
Response time	< 10s (T20), < 45s (T90)		
Average Sensor life (in air)	120 weeks		
Threshold limit settings (default setting):			
	Pre-alarm	22% O ₂	19% O ₂
	1 st threshold alarm	23% O ₂	17% O ₂
	2 nd threshold alarm	24% O ₂	15% O ₂
Operating Temperature	-20 ÷ 50 °C		
Storage Temperature	-20 ÷ 70 °C		
Relative Humidity (without condensing)			
- Operation	15 ÷ 90 %RH		
- Storage	45 ÷ 75 %RH		
Operating pressure (KPa)	80 ÷ 110		
Air speed (m/s)	≤ 6		
Visual warnings	Red LED visible with detector energized The steady LED status can be forced by the Control Unit to identify the sensor on the plant		
Dimensions and weight	See dedicated section		
<u>Options & Accessories</u>			
TUL40.. Gas calibration kit	See installation and commissioning chapter		
TUS40 Handheld terminal for service and maintenance	See installation and commissioning chapter		
CRG40 Gas collecting cone	See dedicated data sheet		
PAP40 Powerful jets protection	See dedicated data sheet		
<u>EC Conformity</u>			
EMC Directives / Standards	Electromagnetic Compatibility Directive 2014/30/EU / EN50270 / EN 61326-1		
LVD Directives / Standards	Not applicable		

Sensors lifetime

Sensor average lifetime (see technical characteristics) is referred to a typical usage in a pollution-free environment. Presence of a high concentration of pollutants can shorten the lifetime of the sensing element.

Once the detection system starts up, it has to be supplied with energy during all the lifetime of its sensors. Seasonal use of the detection system is not recommended.

Seasonal use of the detection system is not recommended.

Mechanical Installation

Oxygen excess

Since oxygen weighs more or less the same as air, unless there is forced or natural air circulation, it tends to spread at the point of the leak.

So, the excess oxygen detectors must be installed near any likely leakage points, in order to detect the excess oxygen as quickly as possible.

Oxygen deficiency

Detection of oxygen deficiency has the purpose of indirectly detecting the presence of other gases that deplete the oxygen in the air, therefore causing asphyxiation problems, for example. In this case, the detectors must be located at the breathing height of the occupants in the premises.

Take into consideration the following specific installation guidelines, as well as the above instructions, for location of the detectors.

The detectors must be installed:

1. where accidental gas leakages are possible
2. at least 1.5m away from heat sources or from vent holes
3. not in spaces where ventilation is poor and where gas pockets may form
4. away from hindrances to natural gas flow
5. away from equipment that may leak gas during normal operations
6. in environments with a temperature range of -20°C to 50°C and relative humidity below 90% (non-condensing)
7. Disconnect equipment from the power supply when mounting and dismantling detectors.

Environmental compatibility and disposal



This product has been designed and constructed using materials and processes that take into account the environmental issue. Refer to the following notes for disposal of the product at the end of its working life, or when it is replaced:

- for disposal purposes, this product is classified as an electric and electronic device: do not dispose of it with normal household waste, in particular as regards the printed circuit
- comply with all local laws in force
- as far as possible reuse basic materials to keep environmental impact to a minimum
- use local depots and waste recycling companies, or contact the supplier or manufacturer to return used products or to ask for information on environmental compatibility and waste disposal
- the product packaging can be reused. Keep it for future use or to return the product to the supplier.

Electrical installation and configuration

CAUTION: Make the area safe and ensure that the device power supply is off before cabling and configuration operations.

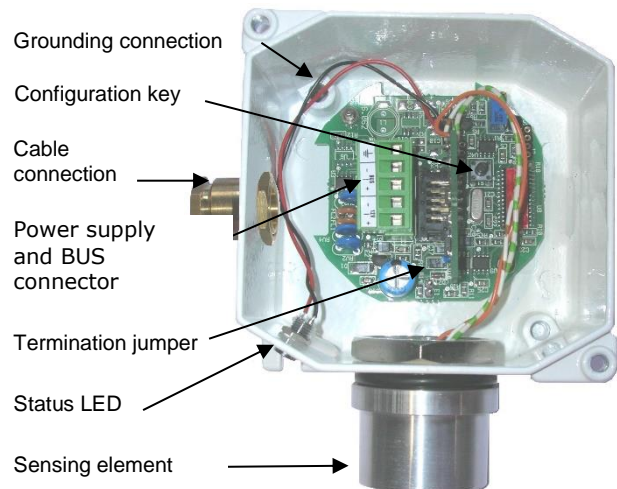
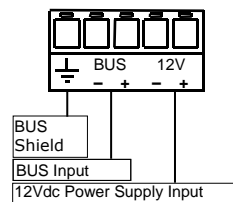
Install the sensor in compliance with laws in force.

The cable gland provided on the housing is used for cable entry.

Ground the sensor using the internal grounding system.

Refer to the Control Unit manual for all cabling information (cable type and specifications, bus topology, length of connections etc.) and configuration.

Terminal board and electrical connections



Cabling:

Depending on the connecting distance, use at least 4-core cable, min. diameter 0.75mm² up to 100m, 1mm² up to 200m, 1.5mm² up to 500m.

Use shielded cable where there is a risk of electromagnetic interference.

Checklist after mechanical and electrical installation

Before using the sensor it must be recognised by the Control Unit through an assignment operation (refer to the manual of the aforesaid Control Unit for correct execution).

The sensors are factory calibrated so they normally do not require any other calibration once installed. Still, after installation, an operational check of the sensors is recommended.

The status LED means the following:

- Flashing at 2Hz NOT ASSIGNED
- Flashing about every 10 sec ASSIGNED AND WORKING
- Steady ALARM

Maintenance

A sensor functional test should be carried out every three-six months.

Routine

Routine maintenance involves repeating the same tests as set forth in "checklist after mechanical and electrical installation".

Corrective

If any abnormalities are found during routine sensor maintenance, return the sensor concerned to the supplier / installer, who in turn will send it back to the manufacturer. Sensors may need to be re-calibrated, using the **TUL40..** calibration kit and the **TUS40-40** handheld terminal, which must be connected to the sensor via the communication on the Power supply and BUS connector. For the re-calibration procedure, see the instructions supplied with the handheld terminal.

Decommissioning

Remove power from the detector, disconnect all wiring and conduits and dismount the housing from all the blocking systems.

Warranty

Warranty on EsiWelma products is valid for 12 months from installation date and no longer than 24 months from manufacturing date on the product. Installation data, stamp and signature on the data sheet filled in by the installer will be considered proof for warranty.

A copy of the warranty data sheet must be sent when returning the product under warranty.

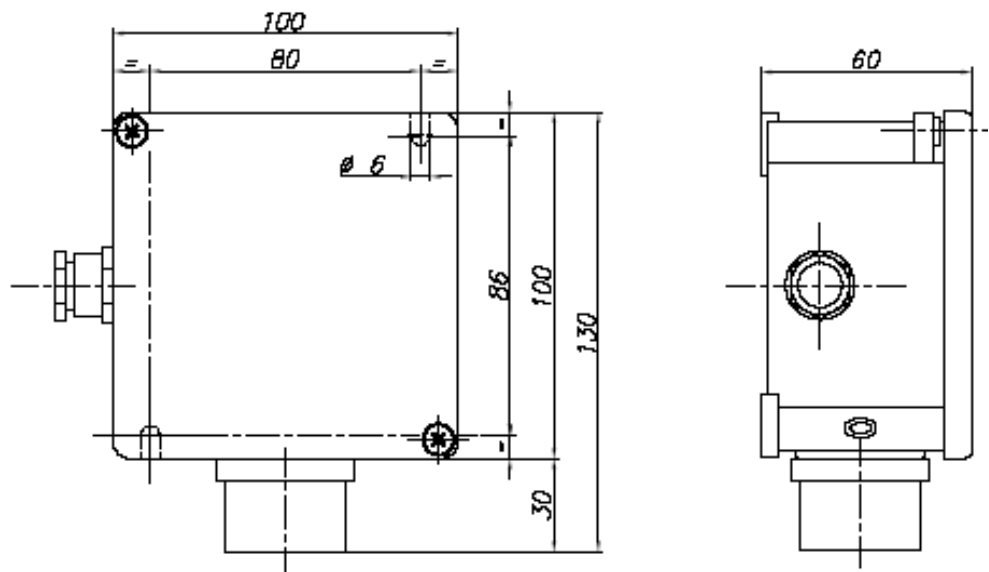
Accessories

- TUL40..** Gas calibration Kit
- TUS40** Handheld terminal
- CRG40** Gas collecting cone
- PAP40** Powerful jets protection

Dimensions and weight

Dimensions (HxWxD): 130x100x60mm.

Weight: 0.5Kg



Due to our policy of continuous product improvement, specifications are subject to change without notice.

EsiWelma® srl	EW0526A3_en - rev. A	Oxygen detectors – URS40SL
05/10/2020	Gas detection systems for industrial environments	4/4